



The Deco Range

Data sheets



01443 442970 • info@harlech.org.uk • www.harlech.org.uk
Harlech Hygienics Ltd, Colliers Way, Tonypanydy, Rhondda. CF40 2AZ



DecoTILE					
Type	Material	Width (mm)	Length (mm)	Thck(mm)	Pack Size
DecoTILE: White	PVC	600	600	7	10 per pack
DecoTILE: White	PVC	1200	600	7	10 per pack

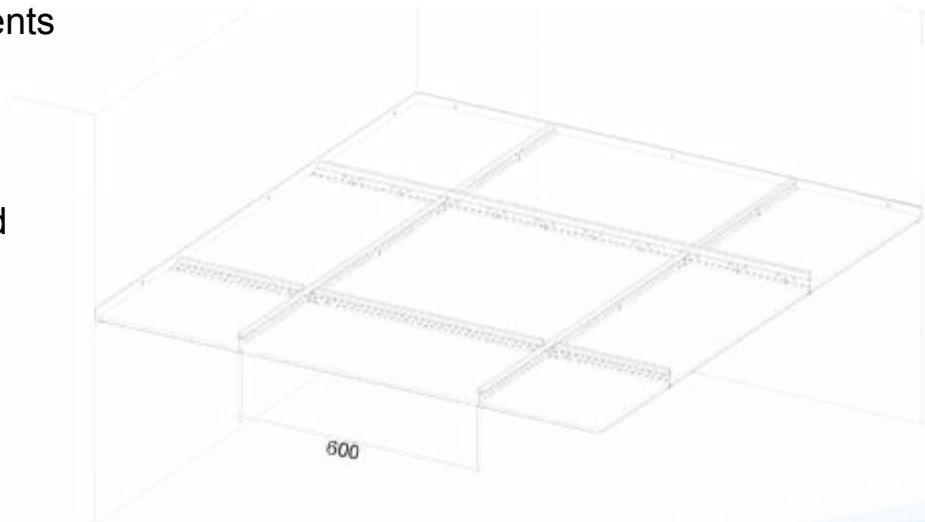
Features include:

- Long product lifespan
- Available in a range of styles as well as the standard white
- Chamber structure gives it good heat and sound insulation
- Moisture resistant, giving a long life span in humid areas
- Doesnt allow bacteria or fungal growth.
- High reflective values

Ideal for...

- Leisure centres
- Healthcare environments
- Schools
- Kitchens
- Shower rooms
- Clean rooms
- Any hygienic or humid environment

DecoTILE			
Test Parameter	Experimental Standard	The Standard Value	Test Result
Density	Din 53479 / ISO 1183	1.400 +/- 01	1.3953
Vicat Softening Temperature	Din 53460 / ISO 306	min 78	79.5
Length/Change	Din 52328	6.5 x 10 ⁻⁵ - 8.0 x 10 ⁻⁵	7.2 x 10 ⁻⁵
The Surface resistance	Din 53482	5.0.4 x 10/12-7.5x10/12	6.6 x 10/12
Water Absorption	TS201	max 4.0	1.72
Flexibility Amount	Din 53457	2850 - 3100	2980
Hardness	Din 53505 / ISO 868	max 100	96
Thermal Conductivity	Din 65212	0.155 - 0.175	0.170
Surface Tension	Din 53455 / ISO 527	38.0 +-5	40.2
Maximum Application Temperature	ISO 75	max 105	93
Resistant to Cleaning Agents	EN 423	-	-
Resistance to Fire	Din 4102-1	Class B1	Class B1
Sizes	595 x 595 x 7mm	-	-





Features include:

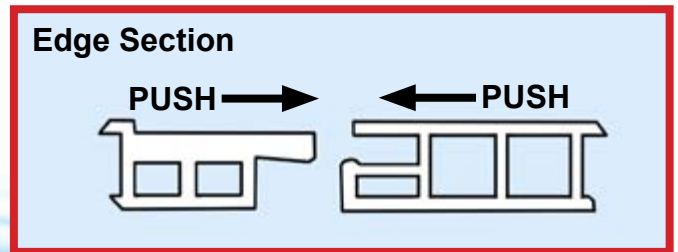
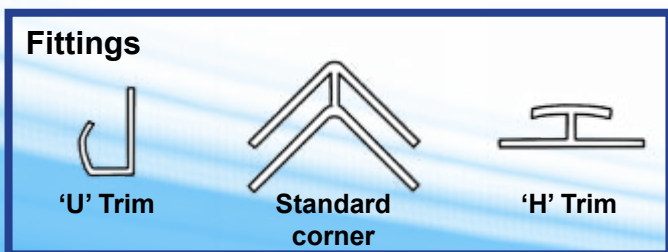
- Attractive finish
- Tongue and groove joints
- No H-sections required
- Glue not needed
- Easy Fit
- Cost effective
- Lengths 2.9m or 5.8m

Ideal for...

- Kitchens
- Bathrooms
- Any hygienic, humid areas requiring an attractive finish



DecoPAN						
Physical properties				Key Features		
Flexural Strength	80 Mpa	Can be used over damp or uneven substrate				
Tensile Strength	40 Mpa	Hides cables, pipes and services				
Flexural Modulus	3050 Mpa	Tailored panelling for full easy access				
Tensile Modulus	2900Mpa	Superior finish for corners				
FDensity	1.4 g/cm ³	Ideal for most areas where hygiene is a concern				
Izod Impact Strength	45 in-lbs (5.1 J/mm)	A fast track solution				
Thermal Conductivity	0.15 W/m K	Recyclable				
Type	Material	Width (mm)	Length (mm)	Thck (mm)	No per pack	Finishes
DecoPAN information	PVC	250	2600	9	5	White, Silver Light, Gold, Silver Dark, Black Marble, Grey, Blue, Green, Bamboo Wood.



DecoPan fitting advice:



In the case of shower rooms or where there is direct water on them, then a bead of clear silicone applied between the joints is recommended.



Before installation, allow the panels to acclimatise to the temperature of the proposed room, 24 - 48 hrs, is normally sufficient.



Where the walls are in good condition, the panels can be fixed back by means of an adhesive, we recommend the use of a M S POLYMER, applied by means of a standard mastic gun.



Where the walls are not suitable, it will be necessary to first install a batten framework to which the panels can be mechanically fixed.



The panels can be cut using standard hand saws or power saws, though a fine toothed tenon saw is preferable. If a power saw is used the panels need to be cut with the face down. A range of edging and corner trims are available



to complement the panels.

Once the panels have been installed any heavy items such as mirrors or cabinets must be fixed through into the wall behind.



When installing lights in the panels, always ensure the temperature does not exceed 60 deg C. Also ensure that a gap of 10mm is allowed around the light fitting to prevent distortion of the panels.



The panels can be cleaned using warm soapy water and non abrasive cloth.



DO NOT: Use the panels externally or where conditions are likely to exceed 60 deg C or where there are harsh conditions containing solvents or high levels of chemicals which



The **decoBOARD** range is our hygienic panelling ideal for...

- Temporary hygienic partitions
- Wall protection in high impact areas
- Cold stores
- Food preparation areas
- Clean rooms
- Freezer rooms
- Fire resistance
- Any high impact area which requires a high level of hygiene



Example of installed DecoBOARD 1200.

330 features include:

- White hygienic finish
- Tongue and groove joints
- No H-sections required
- Glue not needed

400 features include:

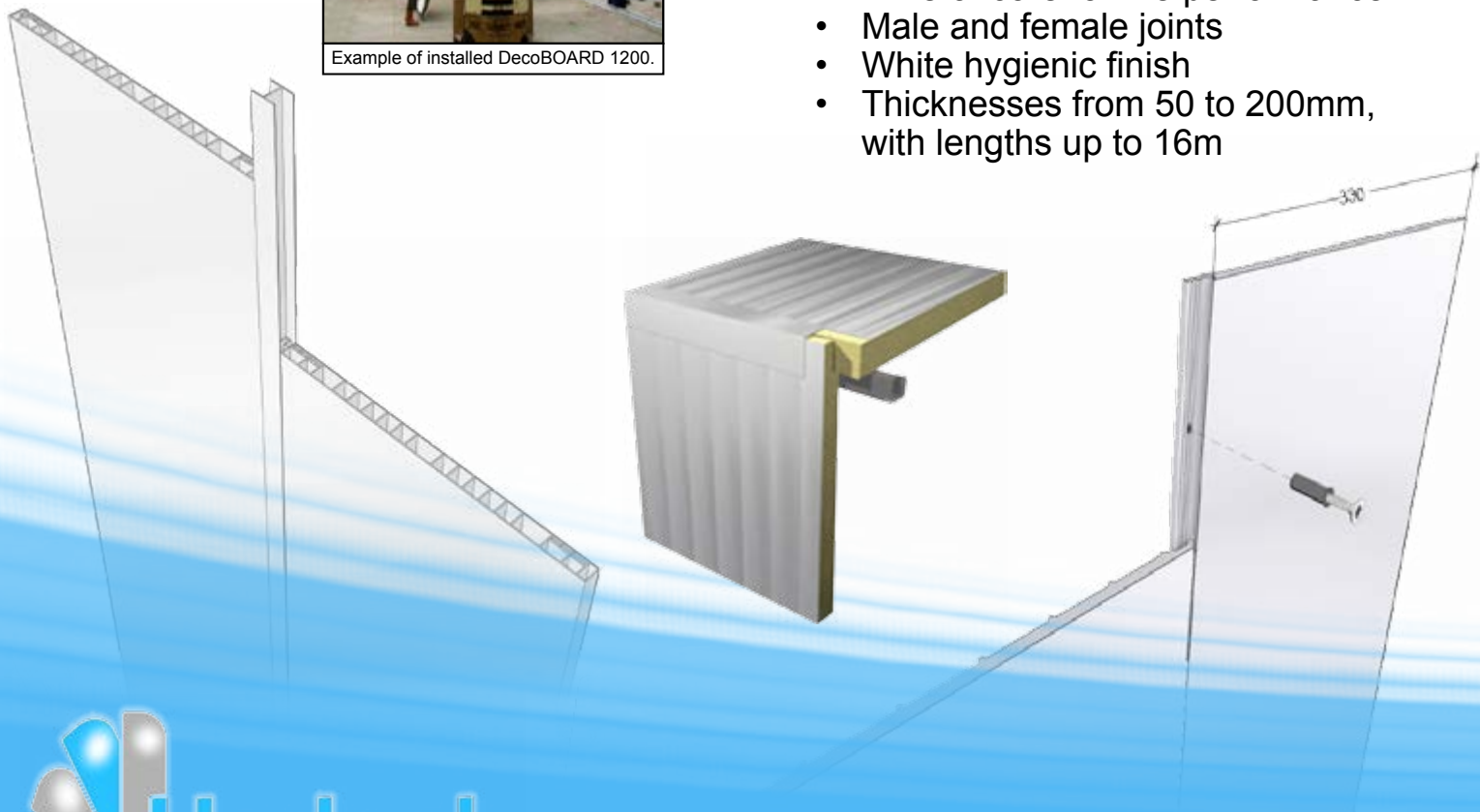
- White hygienic finish
- Ideal for temporary hoarding
- Honeycomb structure
- Lengths 2.9m or 5.8m

1100 features include:

- PIR core for thermal control
- Male and female joints
- White hygienic finish
- Thicknesses from 50 to 200mm, with lengths up to 16m

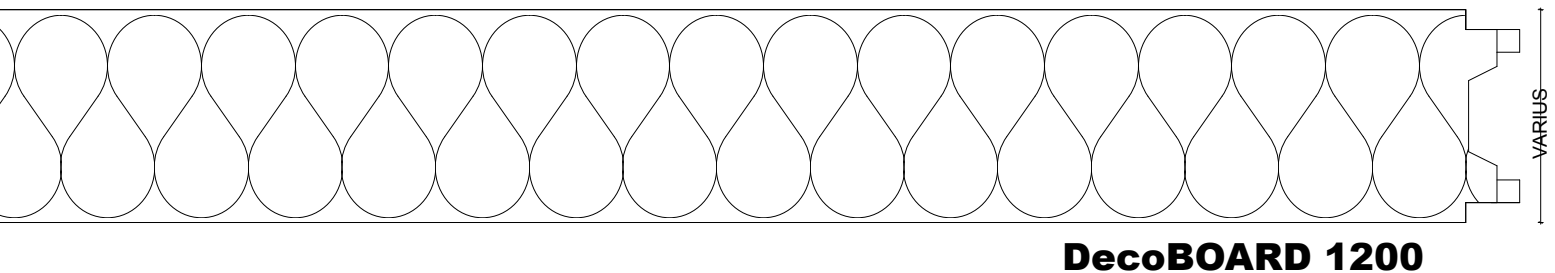
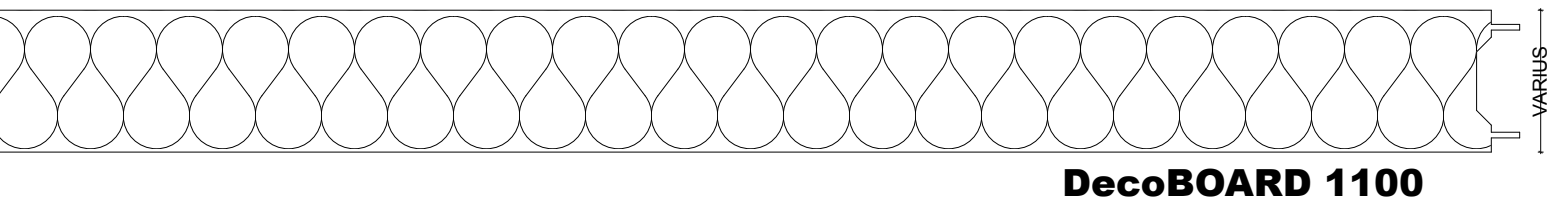
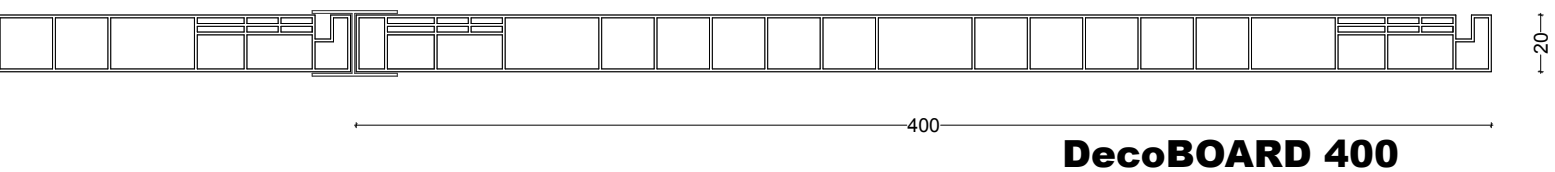
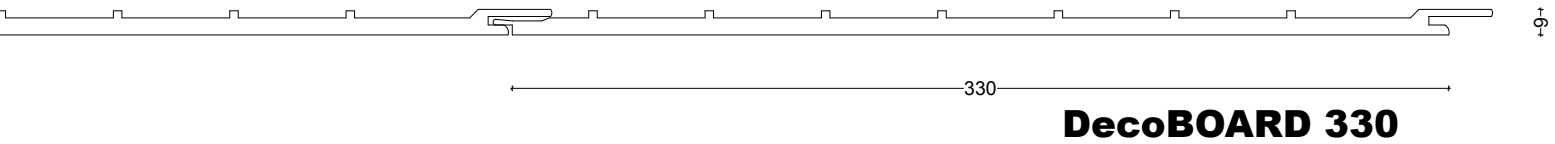
1200 features include:

- Mineral core for fire performance
- Male and female joints
- White hygienic finish
- Thicknesses from 50 to 200mm, with lengths up to 16m





Plan details



DecoBOARD					
Type	Material	Width (m)	Length (m)	Thck (mm)	Finish
330	PVC	0.33	1.4 - 16.0	9	White
400	PVC	0.40	1.4 - 17	20	White
1100	PIR Ins & HPG Steel	1.1	Any	50 to 200	White Foodsafe
1200	Mw & HPG Steel	1.2	Any	50 to 200	White Foodsafe

Variuos trims and fittings available





DecoCAB					
Type	Material	Width (mm)	Height (mm)	Depth (mm)	Options
BCK 12 CAMLI	PVC	600	1410	350	Flatpack/Preassembled
BCK1 CAMLI	PVC	600	1410	350	Flatpack/Preassembled
BCA 1 CAMLI	PVC	600	990	350	Flatpack/Preassembled
BCK 3	PVC	600	810	350	Flatpack/Preassembled

Key Features...

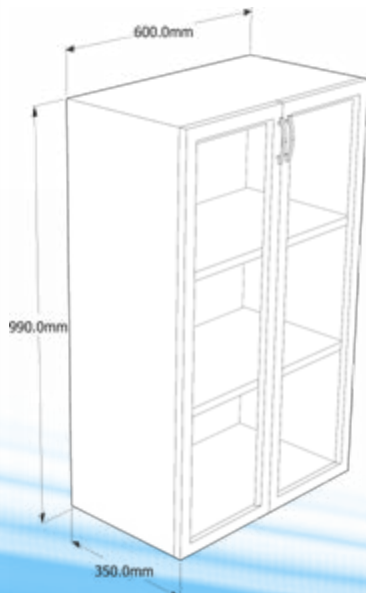
- High level of hygiene
- Withstands intense cleaning
- Bespoke designs available
- Pre-assembled or flatpack

Ideal For...

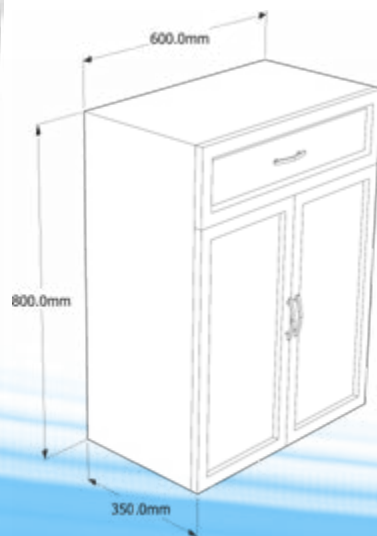
- Changing rooms
- Kitchens
- Healthcare
- Food preparation areas
- Bathrooms



BCK 12 CAMLI



BCA 1 CAMLI

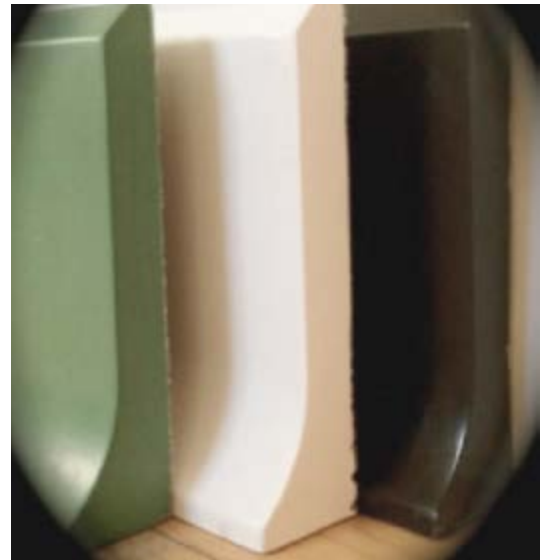


BCK 3



BCK 1 CAMLI





DecoKerb			
Type	Material	Length (mm)	Height (mm)
110	TPR	1500	110
210	TPR	1500	210
310	TPR	1000	310

Ideal For...

- Leisure complexes
- Healthcare facilities
- Food process areas
- Any high impact areas

Key Features...

- Stronger than concrete
- Uses recycled plastics
- Manufactured in the UK
- Available in a range of colours & sizes

DecoKerb EU/BS TESTING STANDARDS		
Type	Description	Results
BS 6319-2 : 1983	Compressive strength	23.03 MPa average, max of 80 MPa
BS 6319-3 : 1990	Flexural Strength	7.6 MPa average
BS 12390-6 : 2000	Tensile Splitting	Tensile Splitting Strength
BS 6319 - 3: 1990	Modulus Elasticity in flexure	6.83 MPa average
BS 6319 - 6: 1985	Modulus Elasticity in compression	1740 MPa average
EA NEN 7375:2004	Leeching	2190 Mpa average
BS EN 1364-1 : 1999 In	Indicative Fire Resistance	Non Leeching
BS EN 13823 : 2002	Single Burning Item	70 Minutes
BS EN ISO 11925-2 : 2002	Ignitability : Single Flame Source Test	Indicative
BS EN 12086 Method B	Water Vapour Permeability	Flame spread to 150mm -
Non specific standard	Liquid Water Absorption	Very Low Permeability
ISO 8302: 1991 & EN 12664 : 2001	Thermal Conductivity	2% Indicative
BS EN 12504-3	Pull out force	0.174 W/mK
BS 5080	Tensile loading test	Passed
BS EN1365	Full BRE Fire Resistance Testing (40 tonne Loaded Wall)	Passed
IS: 23468	Accelerated Ageing	79 Minutes
Density	Density	80+ Years
		1500kg/m3

